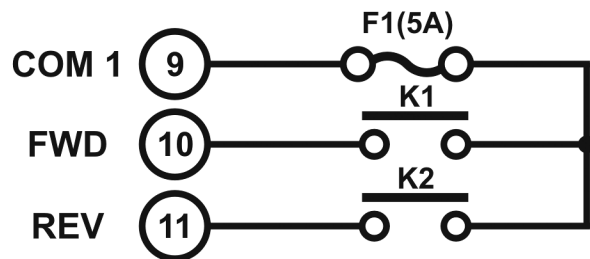
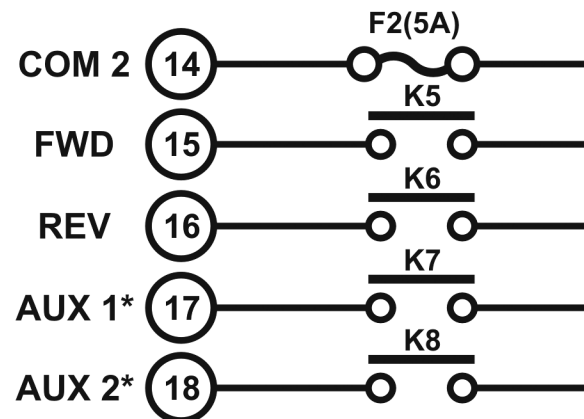


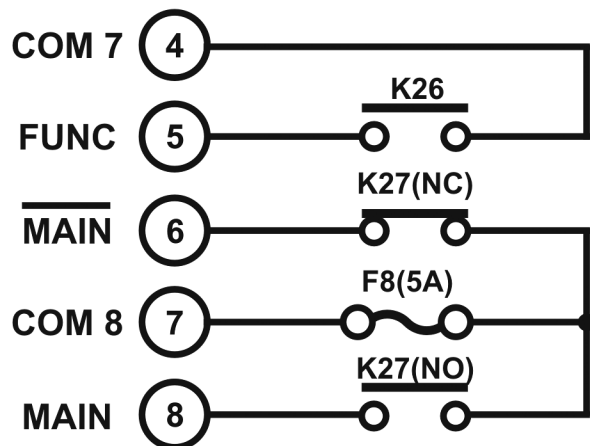
Push button 1~2



Push button 3~4



MAIN / Function



Power

