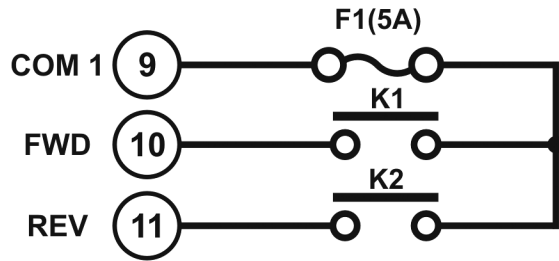
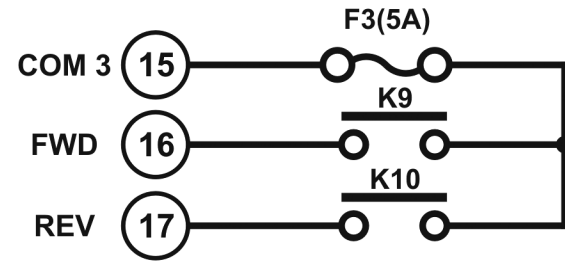


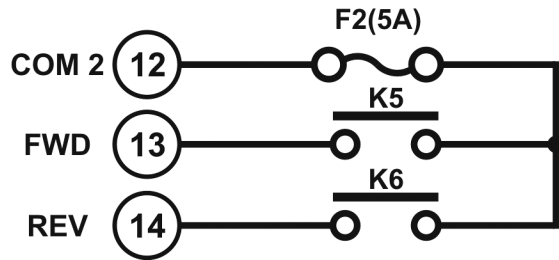
Push button 1~2



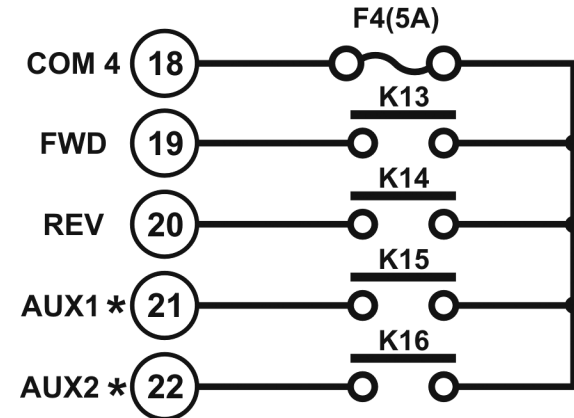
Push button 5~6



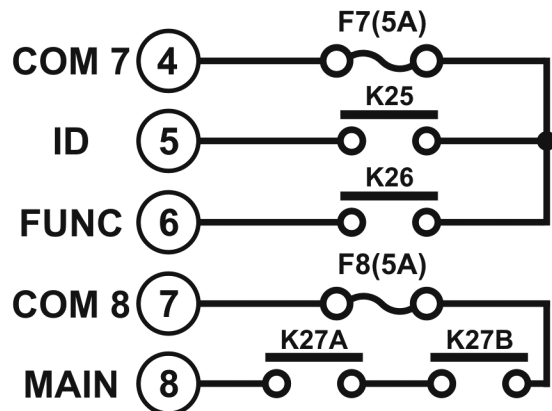
Push button 3~4



Push button 7~8



MAIN / ID / Function



Power

